

4S RS232 Multi Serial PCI Express Card

Installation Guide

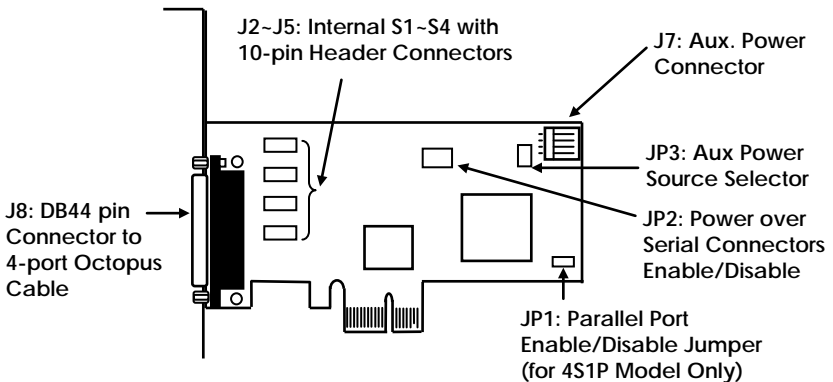
1. Introduction

Congratulation on your purchasing this high performance PCI Express multi-serial host adapter. The adapter is high speed PCI Express bus based and plug-and-play compliant. Its serial ports are fully 16C950 UART compatible with most of the RS232C devices available from the market.

Features:

- ✓ Full x1 PCI Express Throughput, 250Mbytes/sec
- ✓ Fully Compliant with PCI Express Base Specifications, Revision 1.0a
- ✓ 16C950 UARTs, Fully Compatible with 16C550, Baud Rate up to 115.2Kbps (Optional model for 921.6Kbps available upon request)
- ✓ Supports 4S RS232 over one single PCI Express slot.
- ✓ Low Profile PCI Express model available with short bracket
- ✓ Supports Win98SE, ME, NT, 2000, 2003, 2008, XP, Vista, Win 7 and Linux

2. Board Layout



3. Jumper Settings

JP2- External Power Enabler: There are 4 jumpers that control the pin-9 signal of the 4 serial port DB9 connectors (S1~S4) respectively. If the jumper(s) is at the “DIS” position (**factory default**), the pin-9 was connected with the RI signal as standard RS232 definition. If the jumper is at the “PWR” position, the pin-9 was connected with a power either from PCI Express slot or from Aux Power connector (J7). The power source is controlled by JP3 jumper (see the following section).

JP3- External Power Selector: The pin-9 of the serial port connector will be supplied with DC5V or DC12V. There are 3 sources depends on the jumper’s position of the JP3:

- **AUX5V:** DC5V, from J7, an optional power cable is required.
- **AUX15V:** DC12V, from J7, an optional power cable is required.
- **PCI12V (factory default):** DC12V, from PCI Express golden finger, no cable is required.

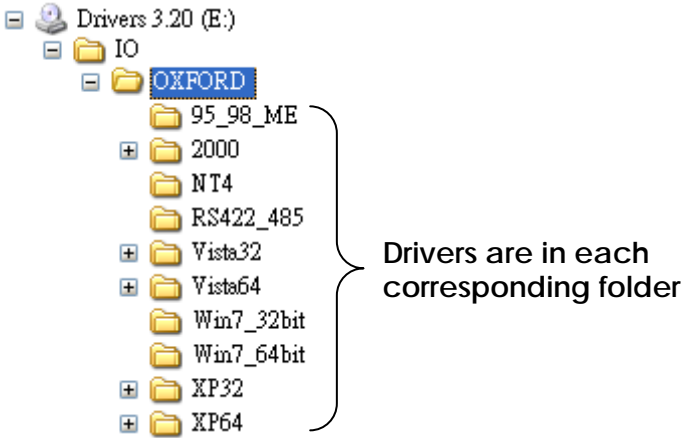
4. Installing the PCI Express I/O Adapter

1. Turn the system power OFF before installation!
2. Remove the chassis cover from your computer
3. Locate an unused PCI Express slot (typically white and smaller) and remove the corresponding slot cover from computer chassis.
4. Plug the I/O card to the unused PCI Express expansion slot and attached the I/O card bracket to the computer chassis screw.
5. Installing the supplied DB44-to-4XDB9 octopus cable and serial cables to your serial devices.
6. Put the chassis cover back on the computer.

5. Software Installation



PLEASE DO NOT LET WINDOWS AUTO SEARCH THE DRIVERS ON THE CD, it will cause problems because the INF files will be conflict in this case. Instead, please browse to the correct location (folder) manually to make sure the correct drivers are chosen and installed correctly.

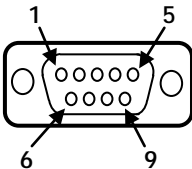


Note: Windows NT driver Installations

To install the Windows NT driver, please go into WinNT4 sub-directory and run (double click) **Install_Serial.exe** to install all Serial Port Drivers.

6. Connector Pin Assignments

- DB9(Male) on the 9-pin Flat Cable:



Pin#	Signal	Pin#	Signal
1	DCD	6	DSR
2	RXD	7	RTS
3	TXD	8	CTS
4	DTR	9	RI
5	GND		

